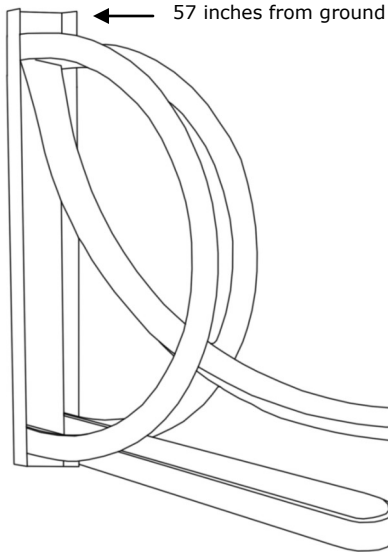


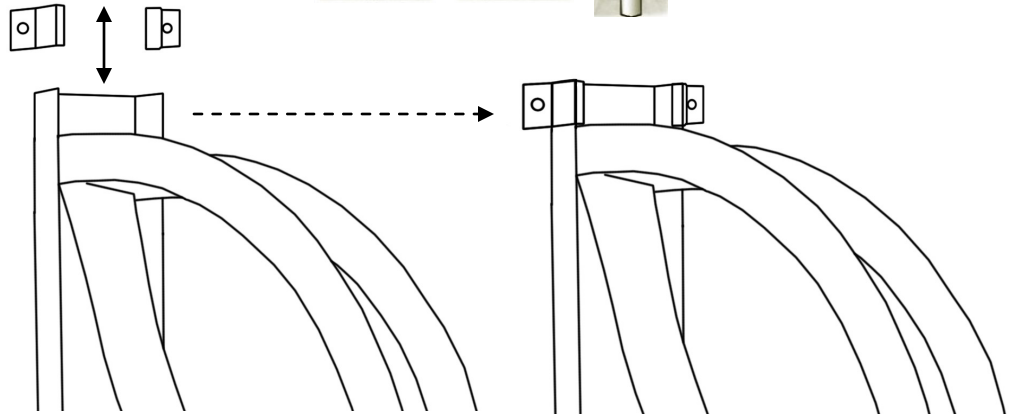
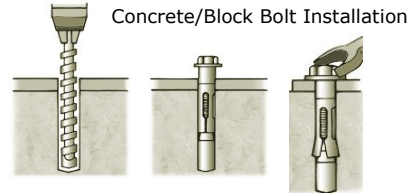
Single Wall Unit Installation Guide:

Tools Required:

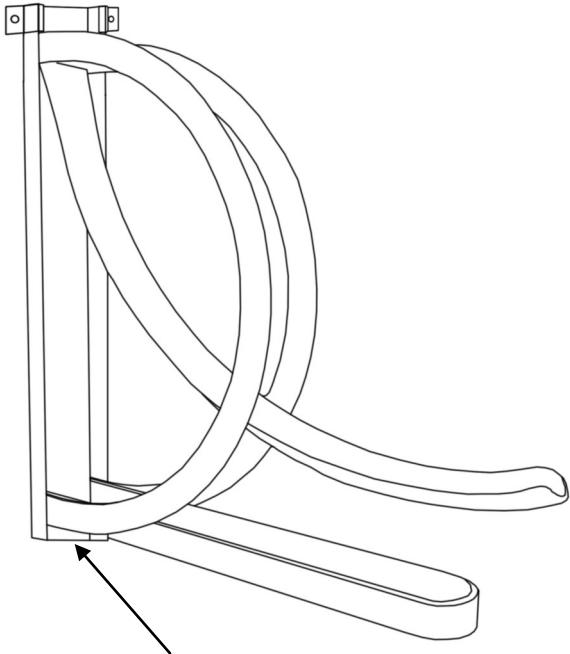
Measuring Tape | Concrete Drill (0.375 inch/0.95cm bit) for concrete/block wall installation
OR Power Drill (0.25 inch/0.635cm drill bit) for wood wall installation | Self Tightening
Concrete Bolts OR Wood Lag Bolts (included) | Hammer | Level | Wrench.



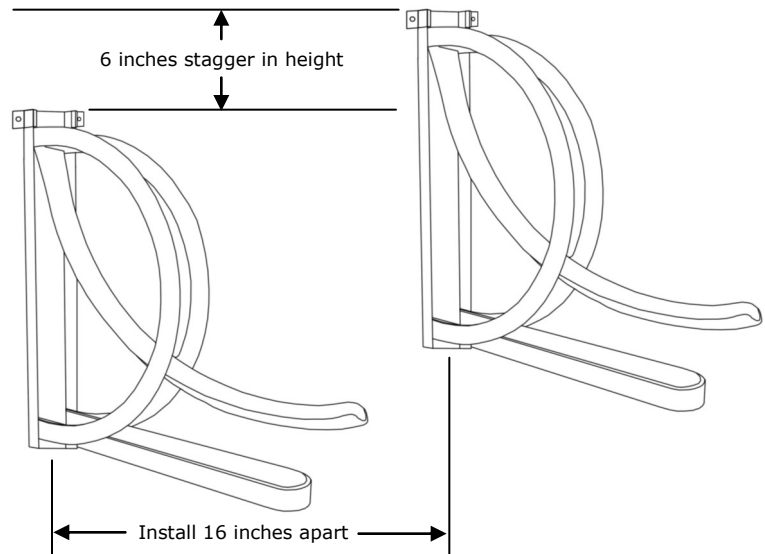
1. Hold the single wall unit against the desired wall for installation at a height of 57 inches (top of rack).



2. Making sure the rack is level, place the first securing tab in place on the single wall unit and drill the required hole. Insert and tighten the provided concrete/block bolt (as shown above). If installing on a wood wall, simply hold the securing tab in place and drill in the provided wood lag bolt. Repeat this step for the second securing tab.



3. Drill the third hole for installation at the bottom of the single wall unit and fasten the last bolt in place.



4. **(Optional)** To install additional racks along the same wall, repeat these steps while staggering the racks in height by 6 inches (63 inches from ground) for every second rack, and install each rack at least 16 inches apart on center.